



SM610

Dental Surgical Microscope

Details Make the Difference

A Great Partner for Root Canal Treatment

Tiltable Handle

Adjust the handle to preferred ergonomic working position.

Information Display

The LED display will be visually showing filter mode and illumination statuses.

Multi-Function Knob

With one finger, you can reach the selective filter system and light settings.

Orange filter

Used for material filling, can prevent resin material curing too fast.



White light source

Using medical LED light source with high CRI, excellent color restoration and uniformity of lighting spot.



Green filter

Used for observing the small vessels and bleeding points in the blood environment.



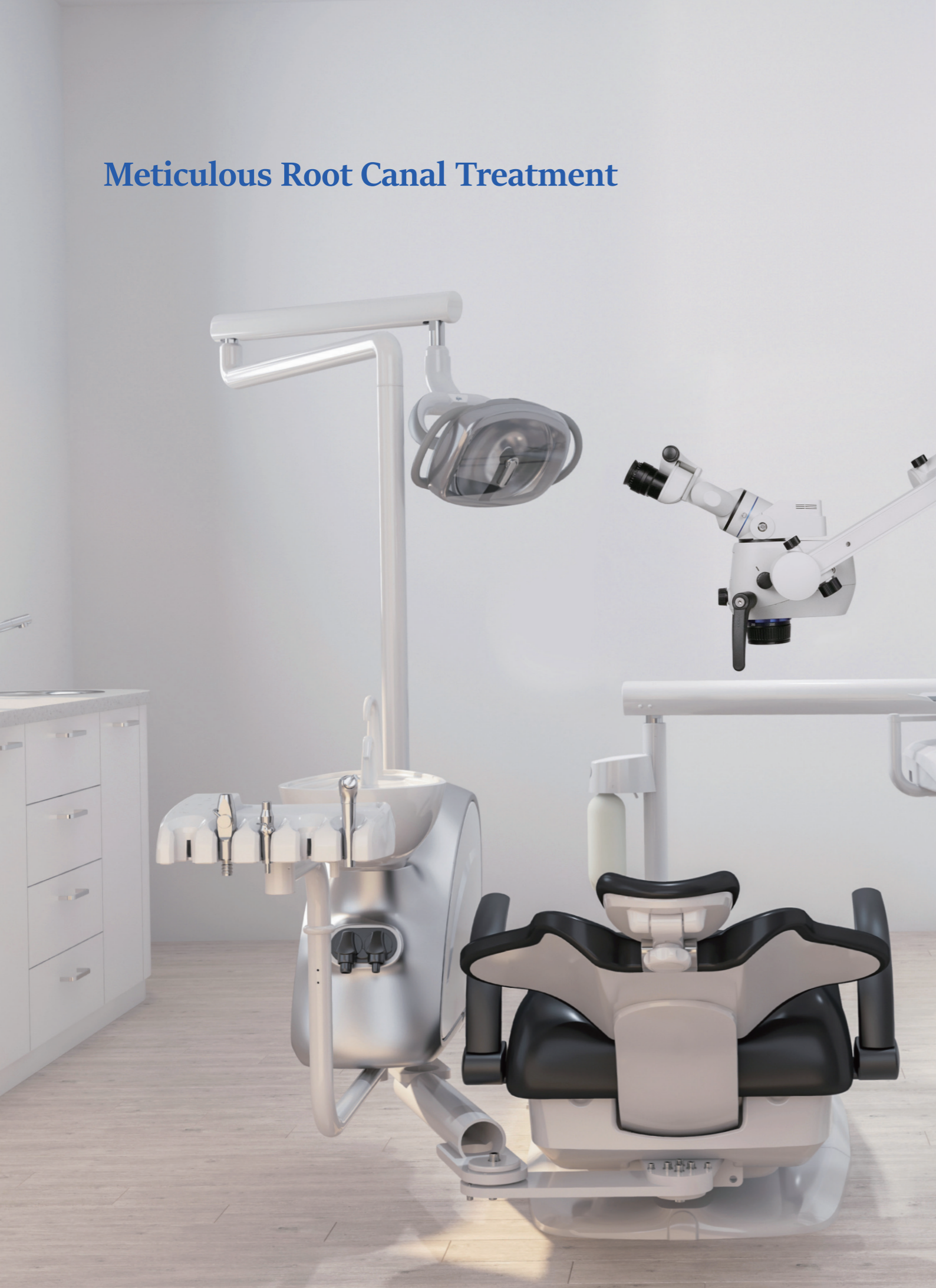
Cutting-edge Optical Lens

Advanced optical lens with Achromatic Design (APO), able to remove color difference, improve articulation index and increase the depth of field.

Variofocus Objective

Variable working distance of 190 mm - 460 mm
Educational type of 200mm - 320 mm

Meticulous Root Canal Treatment



With external digital cameras applicable, the balance arm provides superior experience. Relaxed and upright position prevents neck, back and shoulder pain in the long term.



Balance Arm

Equipped with dual-joint balance adjustment, the balance arm assures a super smooth and comfortable operation during reposition.



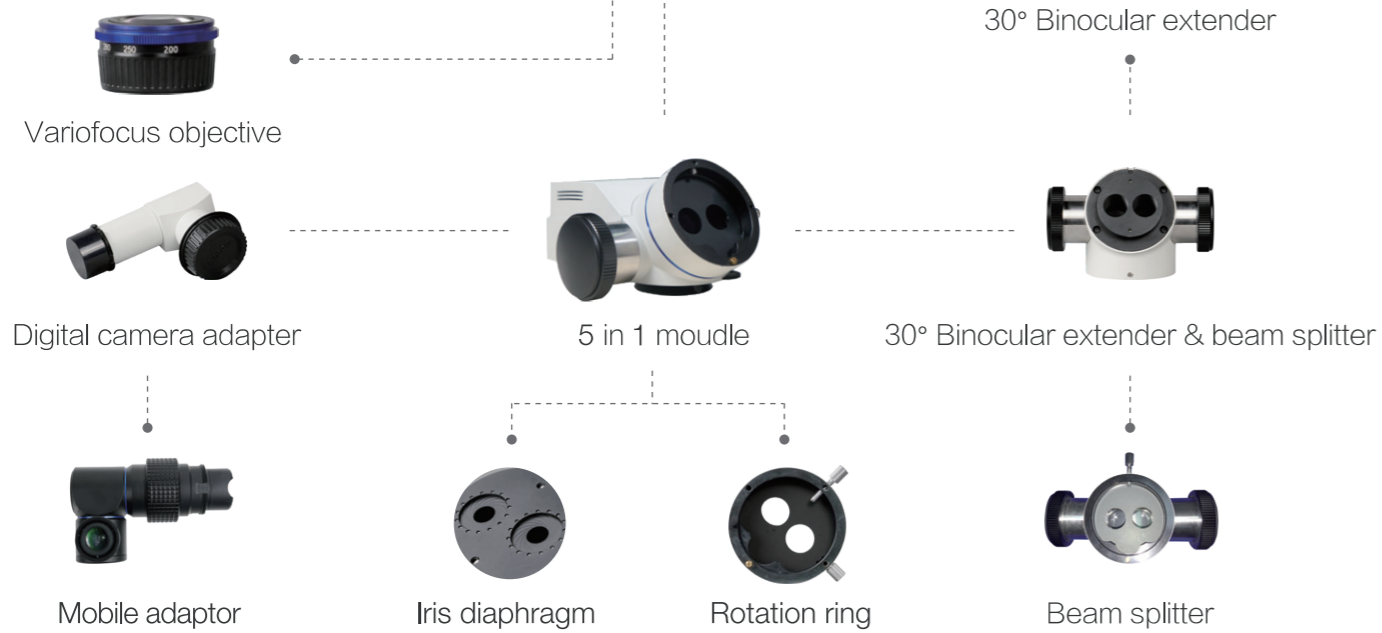
180° Inclinable Binocular Lens

In accord with ergonomics, the augmented range improves comfortableness for dentists.



Pendulum Function

Binocular lens keeps horizontal position.



Specifications

Dental surgical microscope	Classic	Pro	Pro+
Changer Ratio (0.4 x, 0.6 x, 1 x, 1.6 x, 2.5 x)	●	●	●
5 Steps Drumming-Magnification-Changer	●	●	●
180° Tilttable Binocular with PD Adjustment	●	●	●
12.5 x Wide-Field Eyepieces, Diopter Adjustable of Eyepiece ± 7 D	●	●	●
IPD 52 mm - 75 mm	●	●	●
FOV 65 mm - 10 mm	●	●	●
Multi-Function Knob	●	●	●
Information Display	●	●	●
Illumination Intensity >70000 lx (F250)	●	●	●
Built-in LED	●	●	●

Objectives	Classic	Pro	Pro+
Varifocal 270, F=190 mm - 460 mm	●	●	●
Dust Cap for Objective Lens	●	●	●

Functions/Filters	Classic	Pro	Pro+
Orange Filter & Green Filter	●	●	●
APO Design	●	●	●

Digits	Classic	Pro	Pro+
30° Binocular Extender with Built-in Beam Splitter	○	●	○
5 in 1 Module: Binocular Extender & Beam Splitter & Rotation Ring & 4 K integrated Camera (Foot Switch associated) & Iris Diaphragm	○	○	●
Digital Camera Adaptor (Optional: Sony, Canon or Nikon)	○	●	○
360° Cell Phone Adaptor	○	opt.	opt.
Built-in Battery and HDMI Cable (Optional camera type: Sony, Canon or Nikon)	○	●	○

Mounting System	Classic	Pro	Pro+
Floor Mount, Ceiling Mount, Wall Mount	●	●	●

Balance Arm	Classic	Pro	Pro+
Balance Arm	●	●	○
Superb Balance Arm	○	○	●

Accessories	Classic	Pro	Pro+
25° Binocular Rotation Ring	○	●	○
Foot Switch (Optional Camera Type: Sony, Canon or Nikon)	○	●	○
Iris Diaphragm (Increase The Depth of Field)	opt.	opt.	●



Classic



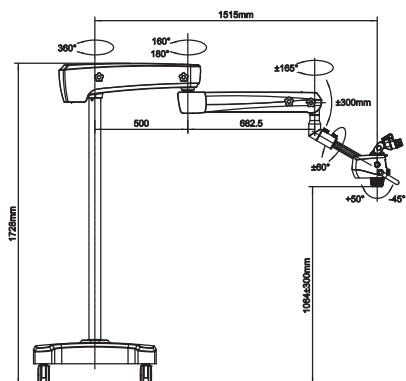
Pro



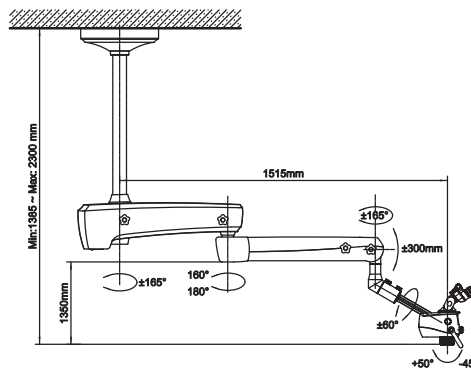
Pro+

Suspension System Options

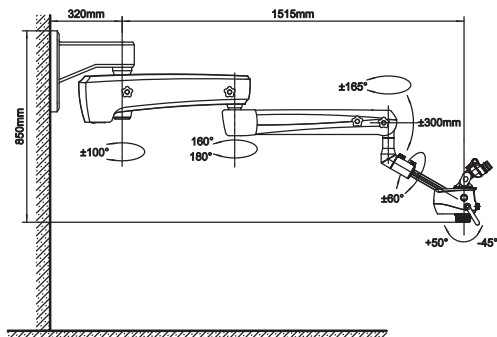
Floor mount



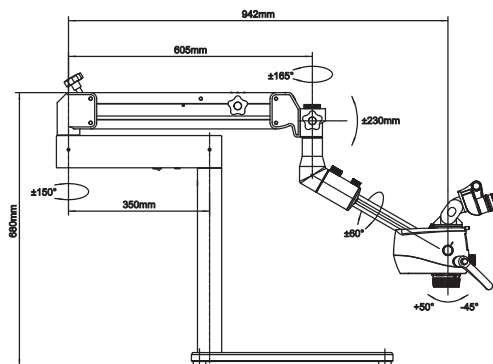
Ceiling mount



Wall mount



Desktop



Shanghai MediWorks Precision Instruments Co.,Ltd.

Add: Building 7, Ming Pu Plaza, No. 3279, San Lu Rd, Min Hang District, Shanghai, 201100, China

Tel: +86-21-54260421 54260423

Email: marketing@mediworks.biz

Follow us



www.mediworks.biz